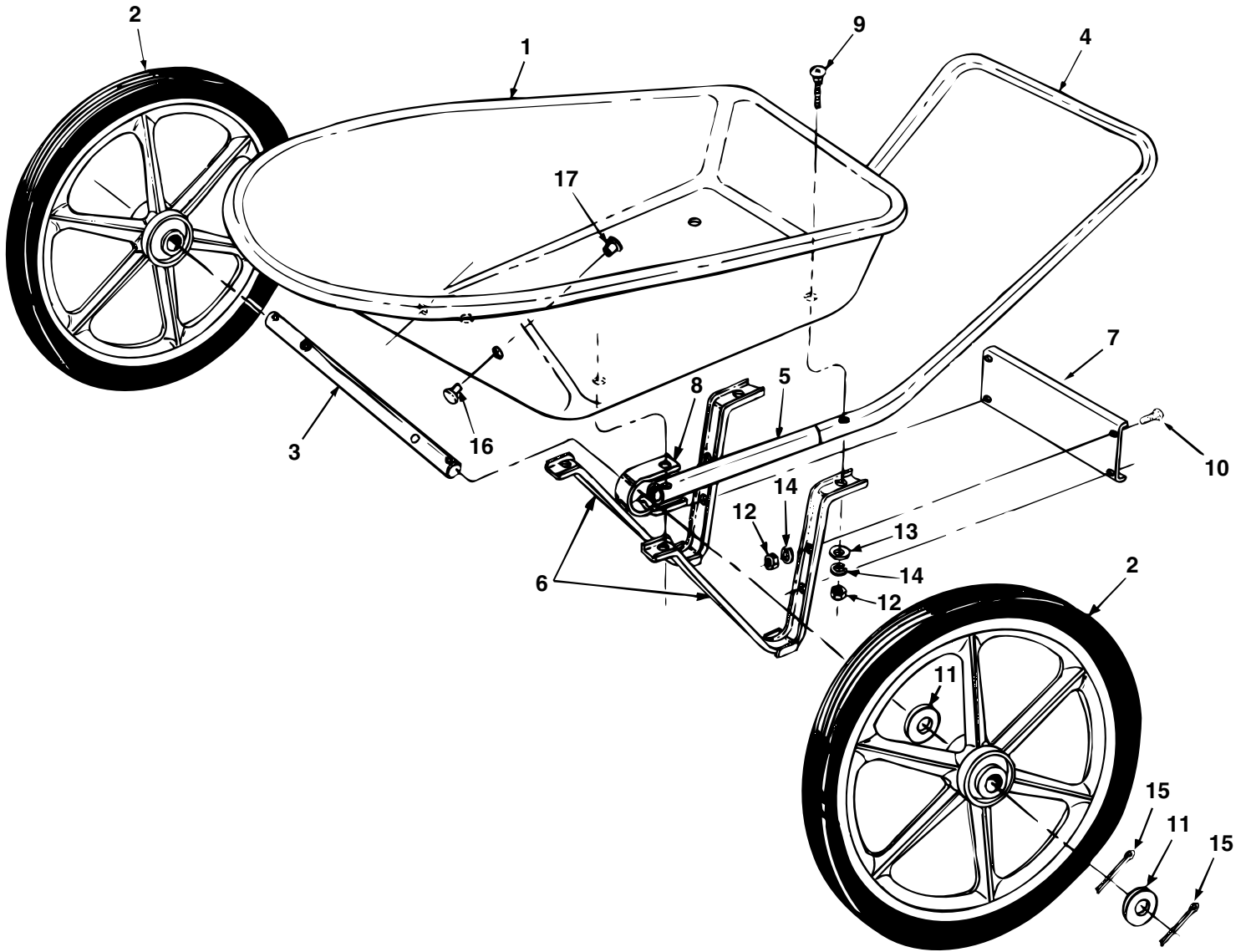


MODEL 45-02261 6 CU. FT. POLY LAWN CART



REF. NO.	PART NO.	QTY.	DESCRIPTION	REF. NO.	PART NO.	QTY.	DESCRIPTION
1	44966	1	Poly Tray	10	43182	4	Hex Bolt, 5/16-18 x 3/4"
2	44975	2	Wheel, 20"	11	43009	4	Flat Washer, 1.59 O.D.
3	23877	1	Axle	12	43083	8	Hex Nut, 5/16-18
4	44943	1	Upper Handle	13	43081	4	Flat Washer, 5/16"
5	44944	2	Handle Extension	14	43086	8	Lock Washer, 5/16"
6	44192	2	Channel Leg	15	43010	4	Cotter Pin, 1/8" x 1-1/4"
7	813139	1	Leg Brace	16	45093	2	Ratchet Rivet (Male)
8	23878	2	U-Clamp	17	45094	2	Ratchet Rivet (Female)
9	46324	4	Carriage Bolt, 5/16-18 x 2-1/2"		46827	1	Owner's Manual

*Purchase Common Hardware Locally.

SpeedEPart the fastest way to purchase parts www.speedepart.com